

SWIFTY BOOSTER

Your Booster deck is compatible with SwiftyONE, SwiftyZERO & SwiftyAIR

ASSEMBLY GUIDE

Please read these instructions carefully. If you have any queries relating to the safe assembly or installation of your Booster do not hesitate to contact us.

TOOLS NEEDED

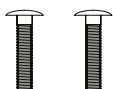
8mm Spanner

PARTS CHECK LIST

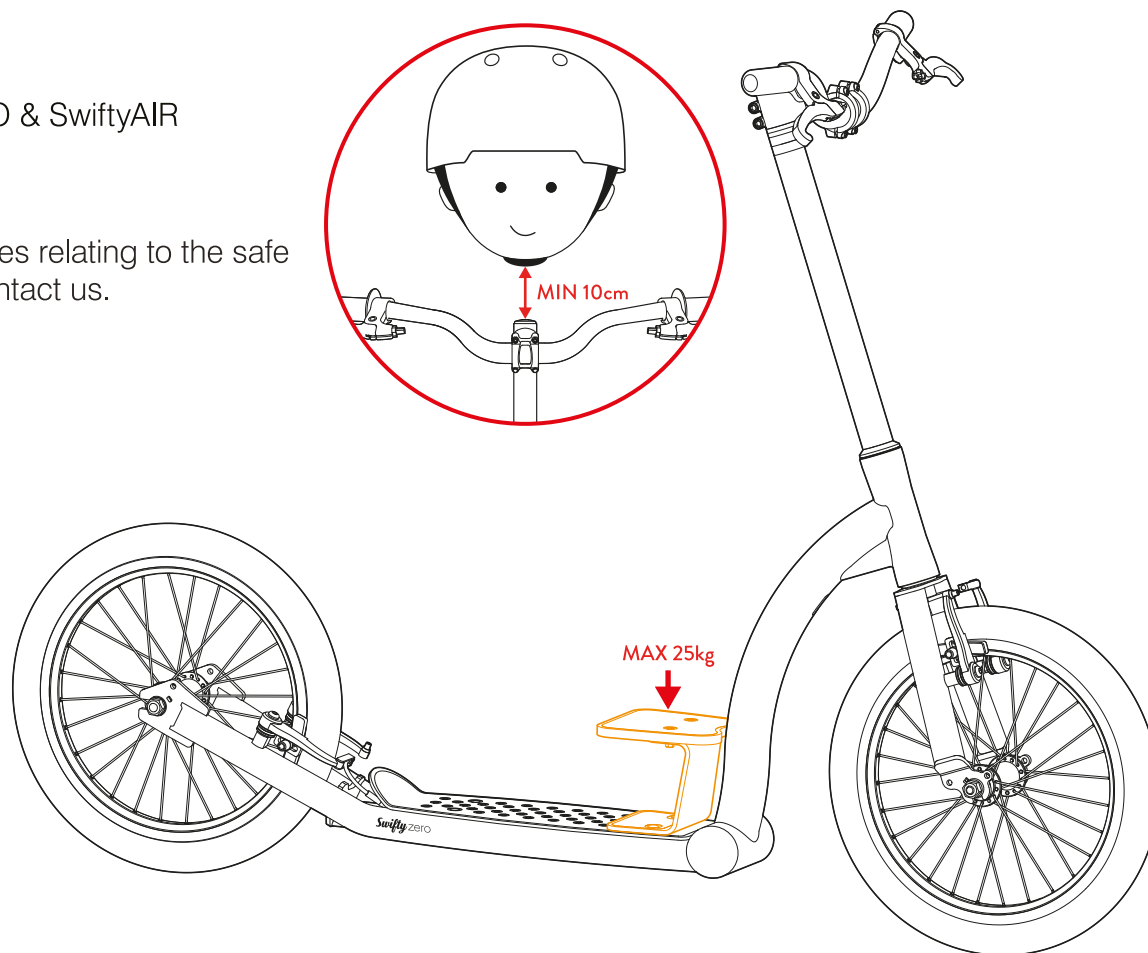
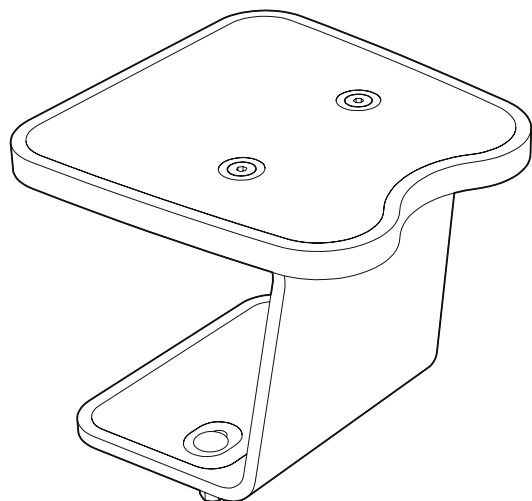
2 x Coach Bolts

2 x Washers

2 x Nylock Nuts



1 x Booster Deck (pre-assembled)



RIDER RESTRICTIONS & SAFETY

- Designed for children aged between 2-4 years, between 85cm-100cm tall & up to 25kg in weight.
- The maximum total rider weight for the scooter is 150kg.
- Ensure your child is wearing protective equipment, e.g. Helmet, Elbow & Knee Pads.
- Adjust your speed and allow extra time for braking to ensure your child has a safe and comfortable ride.
- Ensure the handlebars are below your child's face/chin.
- You can adjust the handlebar height of SwiftyONE.



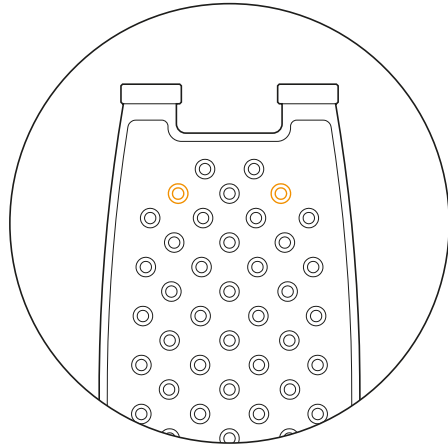
Let the good times ride and roll!
Share your story and follow us @swiftyscooters

WWW.SWIFTYSCOOTERS.COM



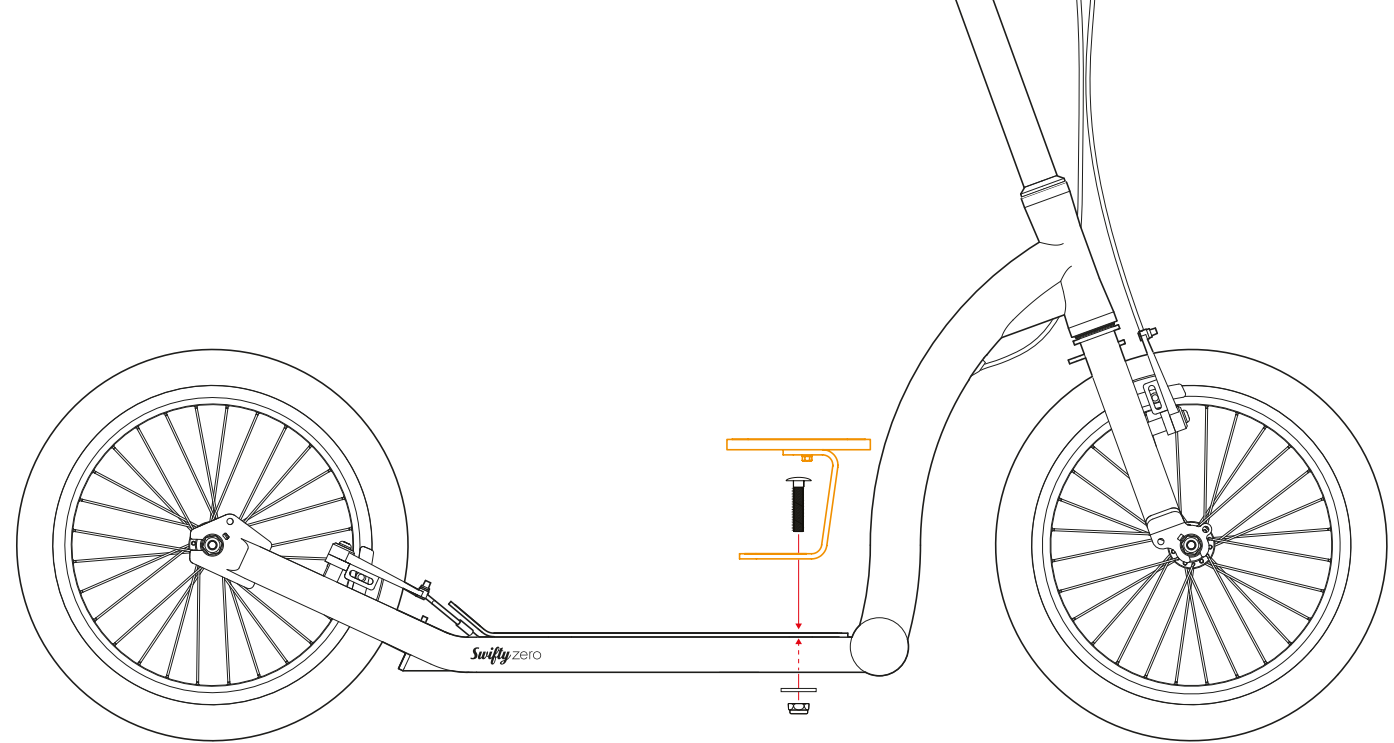
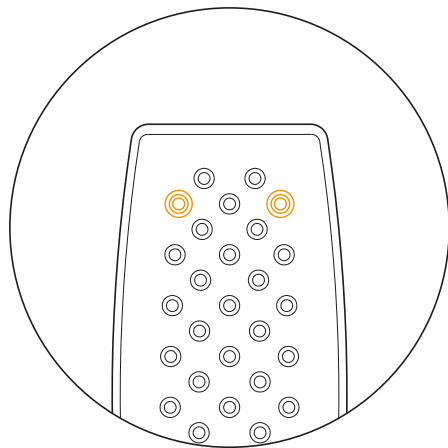
HOW TO INSTALL

Swift ONE



Swift zero

Swift AIR



SWIFTY ONE

Place the booster at front side of your scooter footplate, line the deck up with the footplate holes specified in the drawing on the left. Put the coach bolts through the holes, then fix with nuts and washers provided.

SWIFTY ZERO & AIR

Remove the front two bolts from your footplate, keep them in a safe place in case you want to remove the Booster deck at a later date. Line the deck up with the bolt holes specified in the drawing on the left, and fix in place using the coach bolts, washers & nuts provided.

 Warning: Ensure bolts are fully tightened before each ride.



Let the good times ride and roll!
Share your story and follow us @swiftyscooters

WWW.SWIFTYSCOOTERS.COM

